



7 m
Reference Listening Position

32 m²
Sweet Spot

800 m²
Concert Level Area (up to)

2.1
Audio Format

140 dB
Peak Output

8,000 W
Output Power

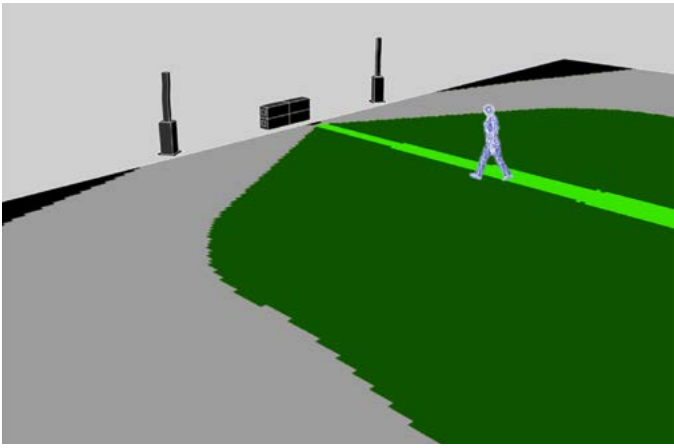
For music lovers, Tonga 2.1 scores a perfect ten. All ten components of Tonga — two Syva, two Syva Low, four Syva sub, two LA4X amplifiers—join forces to form a high performance, high fidelity pro audio system. Tonga instantly impresses with its presence and technical prowess in power, throw and wide coverage at high SPL while remaining resolutely transparent in its delivery of musical content. The system is a standard-bearer of the world-renowned L-Acoustics sonic signature which graces exclusive members-only clubs, as well as esteemed concert halls and music venues featuring every genre, from classic to electronica. Along with Tonga's unrivalled sonic qualities, the Syva family of components display a sublimely sleek form factor ideally suited to enjoying music with your guests.

APPLICATIONS



Tonga will perform best as an indoor or outdoor system stacked on its base for receptions and parties.

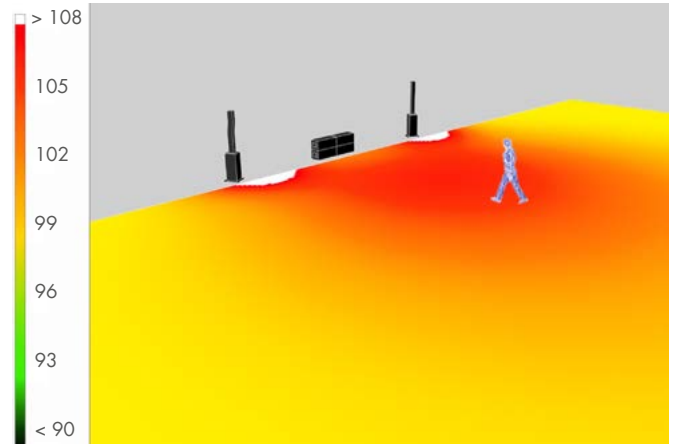
Coverage



Sweet spot: spatialized zone mapping modeled in L-Acoustics Soundvision software represented by the central light green area

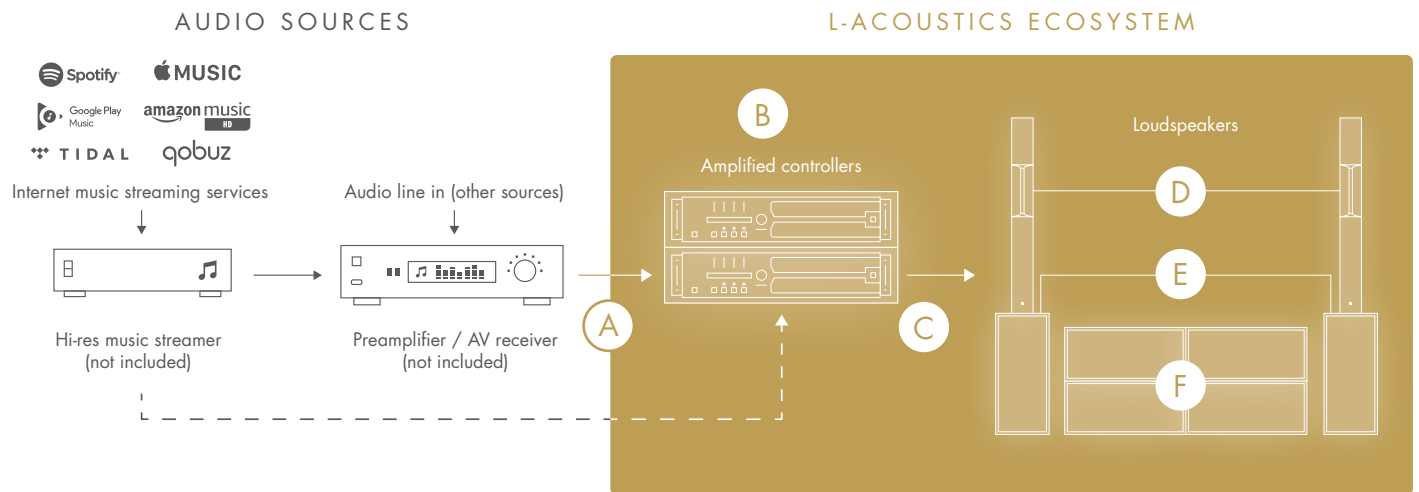
■ Sweet spot

SPL (dBA)



Concert level area: SPL (Sound Pressure Level) mapping modeled in L-Acoustics Soundvision software

COMPONENTS AND SYSTEM DIAGRAM



A	Signal cables	1 × RCA-XLR2: RCA to 1 × XLRM (2 m)	1 × XLR2: XLR AES (2 m)	1 × XLR0.5: XLR AES (0.5 m)
B	Amplification and processing	2 × LA4X class D four-channel amplified controllers, with case		
C	Speaker cables	6 × SP10 SE: 4 × 2.5 mm ² , speakON connectors (10 m)		
D	Full range loudspeakers	2 × Syva 2-way passive coaxial loudspeakers: 6 × 5" LF + 3 × 1.75" HF diaphragm, with wall-mount accessory	2 × Syva protective covers	
E	Low frequency extensions	2 × Syva Low high-power low frequency subwoofers: 2 × 12" LF, with base plate	2 × Syva Low protective covers	
F	Subwoofers	4 × Syva Sub infra low frequency subwoofer: 1 × 12" LF	4 × Syva Sub protective covers	

For detailed connection diagram and installation procedure, please refer to the Setup guide.

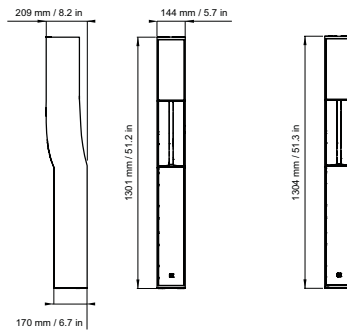
ARCHITECTURAL SPECIFICATIONS

Dimensions and weights

Syva

Weight (net) 21 kg / 46 lb

IP Rating 54

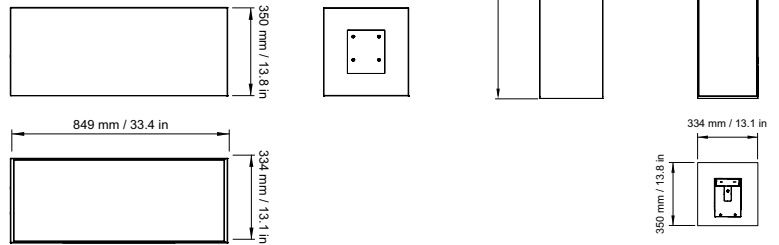


Syva Low / Syva Sub

Syva Low weight (net) 29 kg / 64 lb

Syva Sub weight (net) 27 kg / 60 lb

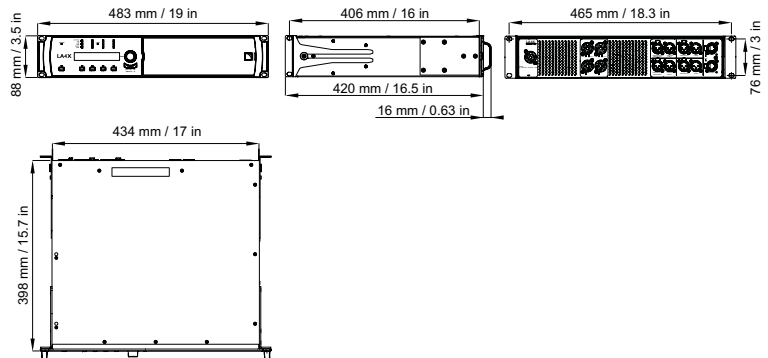
IP Rating 55



LA4X with case

Weight (net) 16.7 kg / 36.8 lb

IP Rating 3x



FINISHES

The Syva, Syva Low and Syva Sub cabinets are made of premium grade Baltic birch plywood, protected with a bi-component hard coating for indoor and outdoor use. The loudspeakers exist in two exterior finishes: Dark Grey Brown and Pure White.



Dark Grey Brown



Pure White